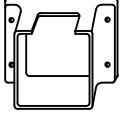
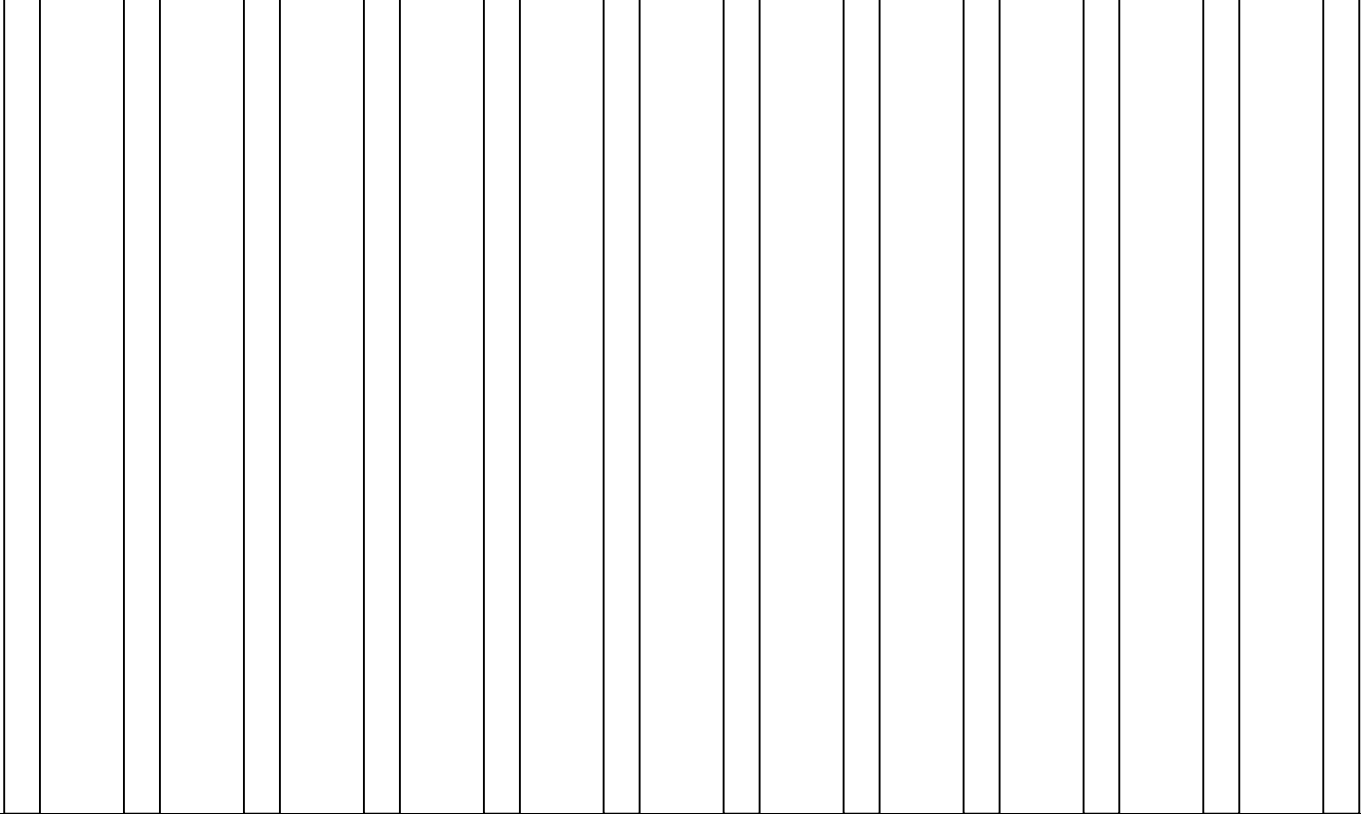
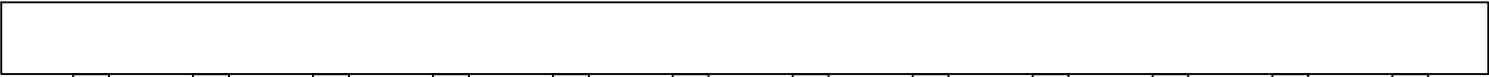
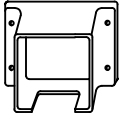


Typical Height 42"



Clearance 2"

**Style C**

Scale: NTS

**Tek-Rail, Inc.**

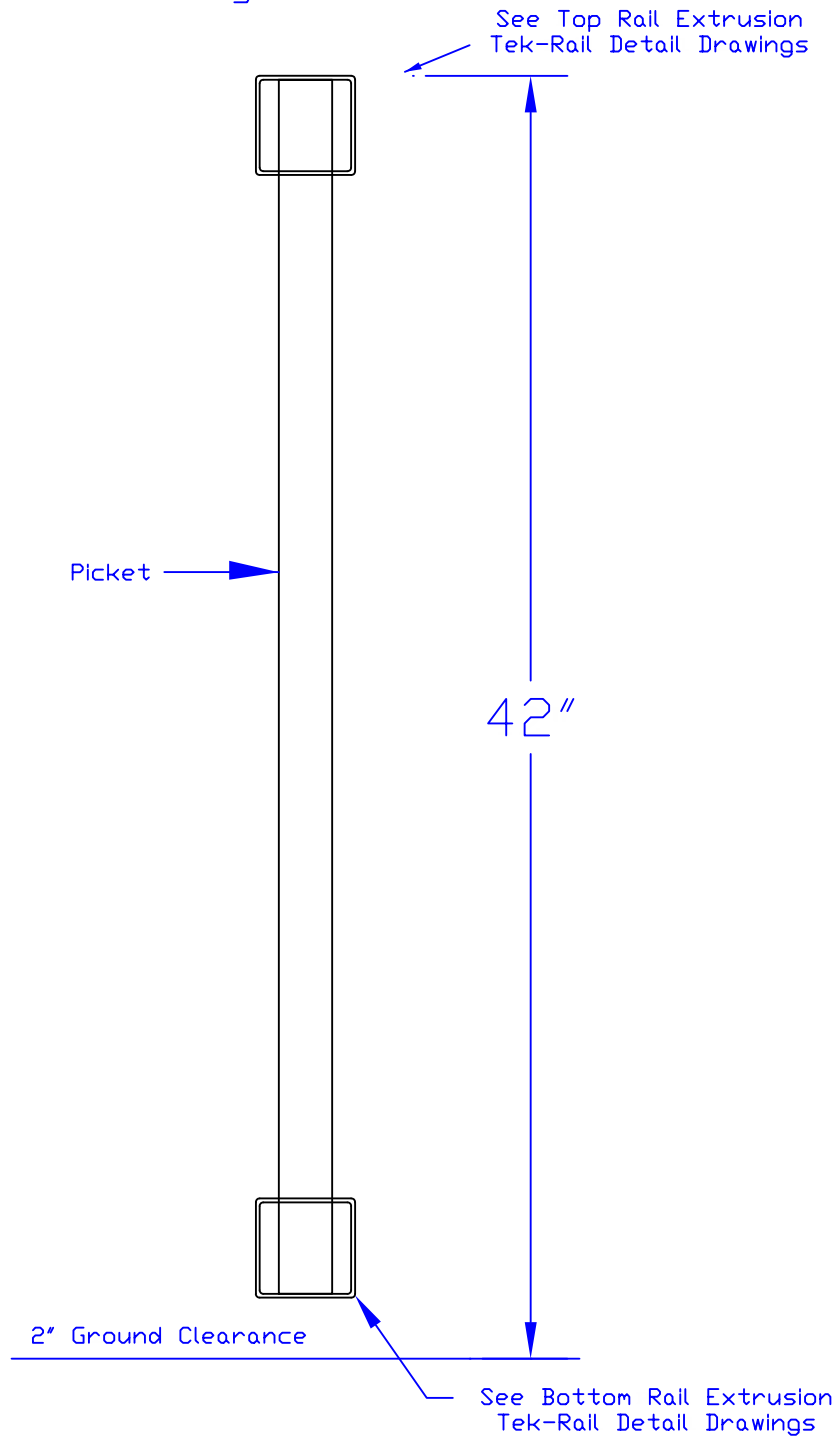
320 Temple Ave. Bldg. B • Newnan, GA 30263

1-800-9835724

www.Tek-Rail.com



# Style C



## CUTAWAY

### Style C

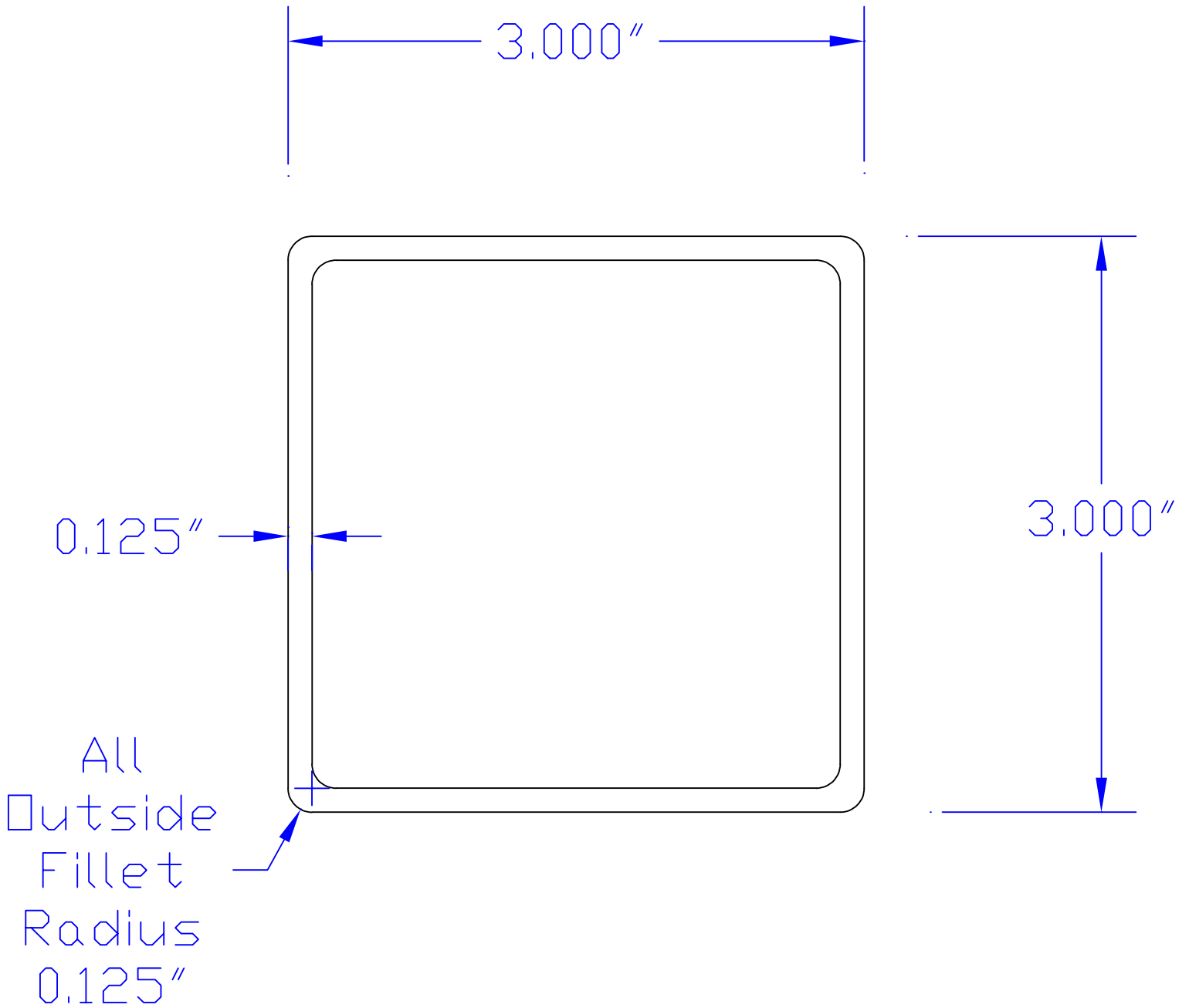
Scale: NTS

### Tek-Rail, Inc.

320 Temple Ave. Bldg. B • Newnan, GA 30263

1-800-983-5724

www.Tek-Rail.com



# RAIL EXTRUSION

**Style B Bottom - Style C Top & Bottom**

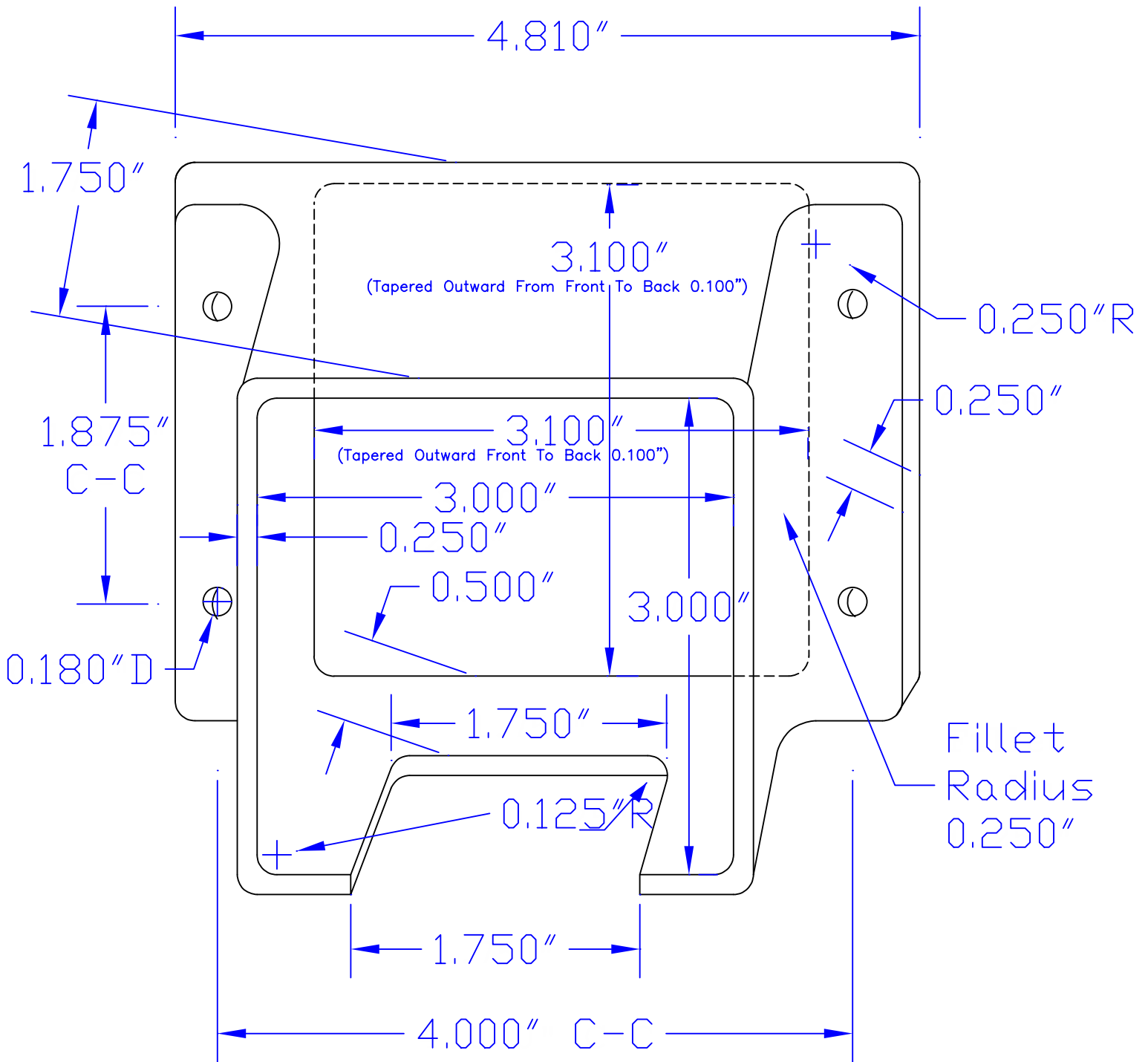
Scale: 1 = 1

**Tek-Rail, Inc.**

320 Temple Ave. Bldg. B • Newnan, GA 30263

1-800-983-5724

[www.Tek-Rail.com](http://www.Tek-Rail.com)



# BRACKET

Style B Bottom - Style C Top & Bottom

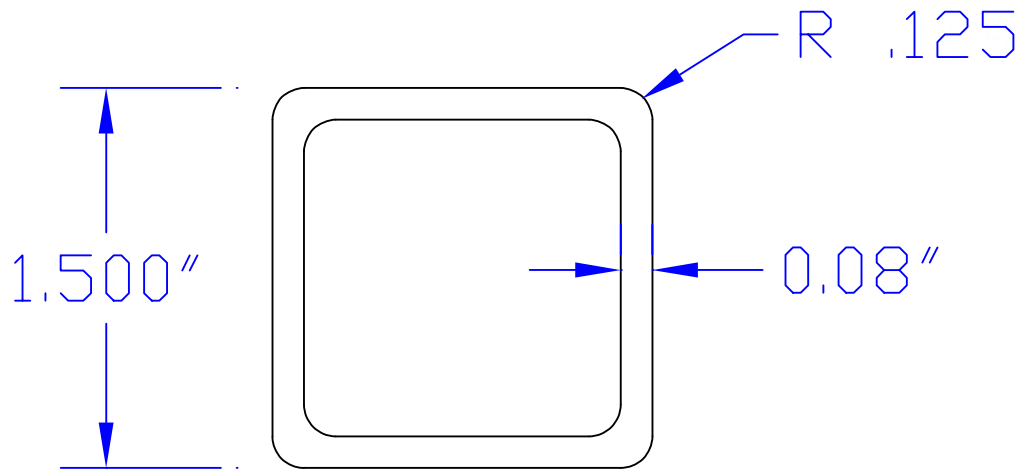
Scale: 1 = 1

**Tek-Rail, Inc.**

320 Temple Ave. Bldg. B • Newnan, GA 30263

1-800-983-5724

www.Tek-Rail.com



Styles B, C, R, S

# PICKET

## Extrusion - Cross-Section - All Styles

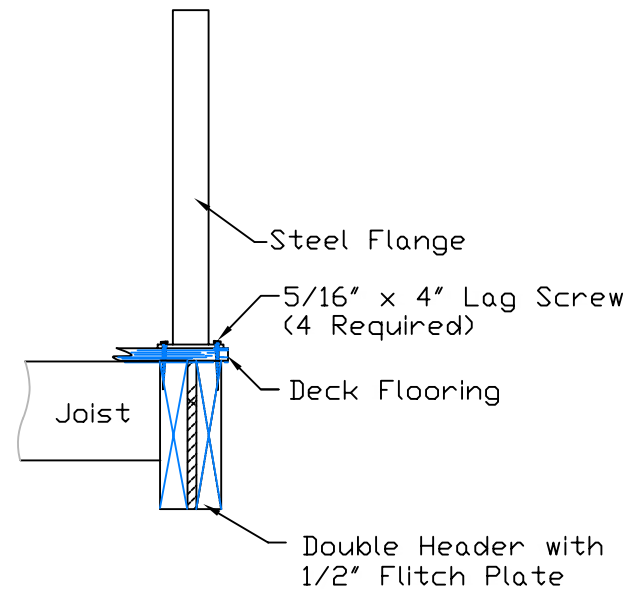
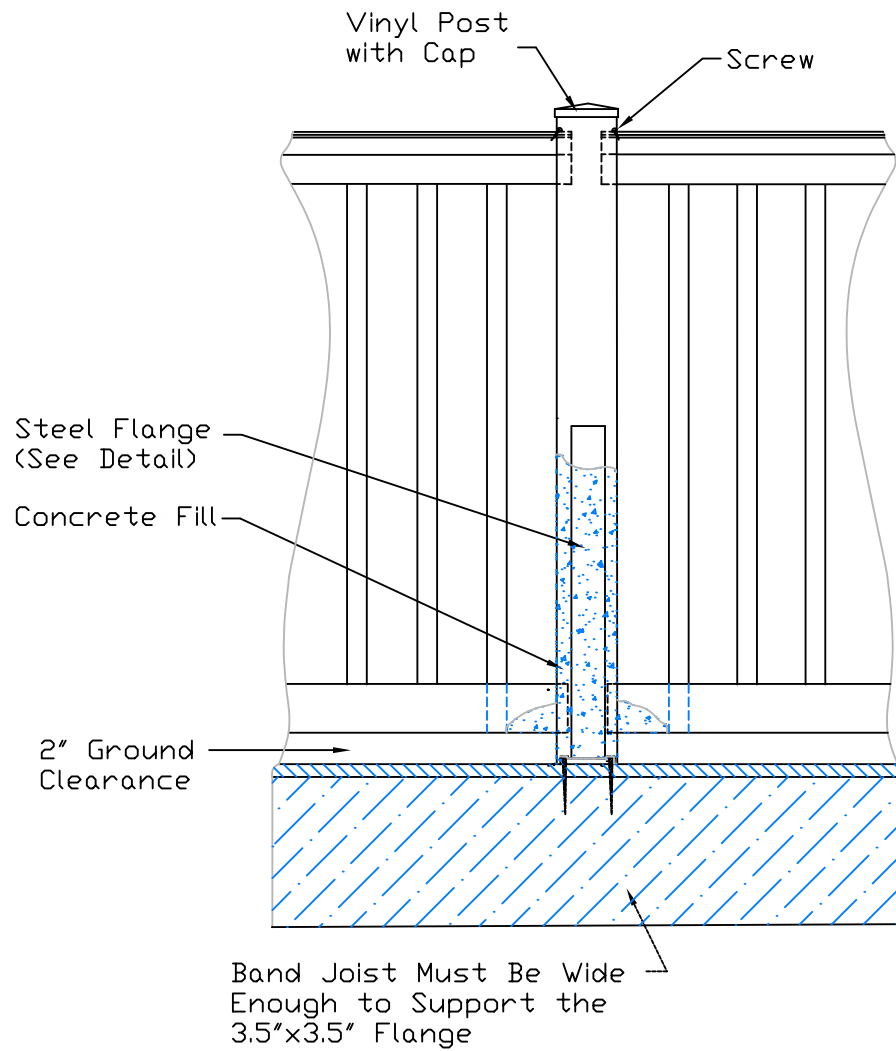
Scale: 1 = 1

### Tek-Rail, Inc.

320 Temple Ave. Bldg. B • Newnan, GA 30263

1-800-983-5724

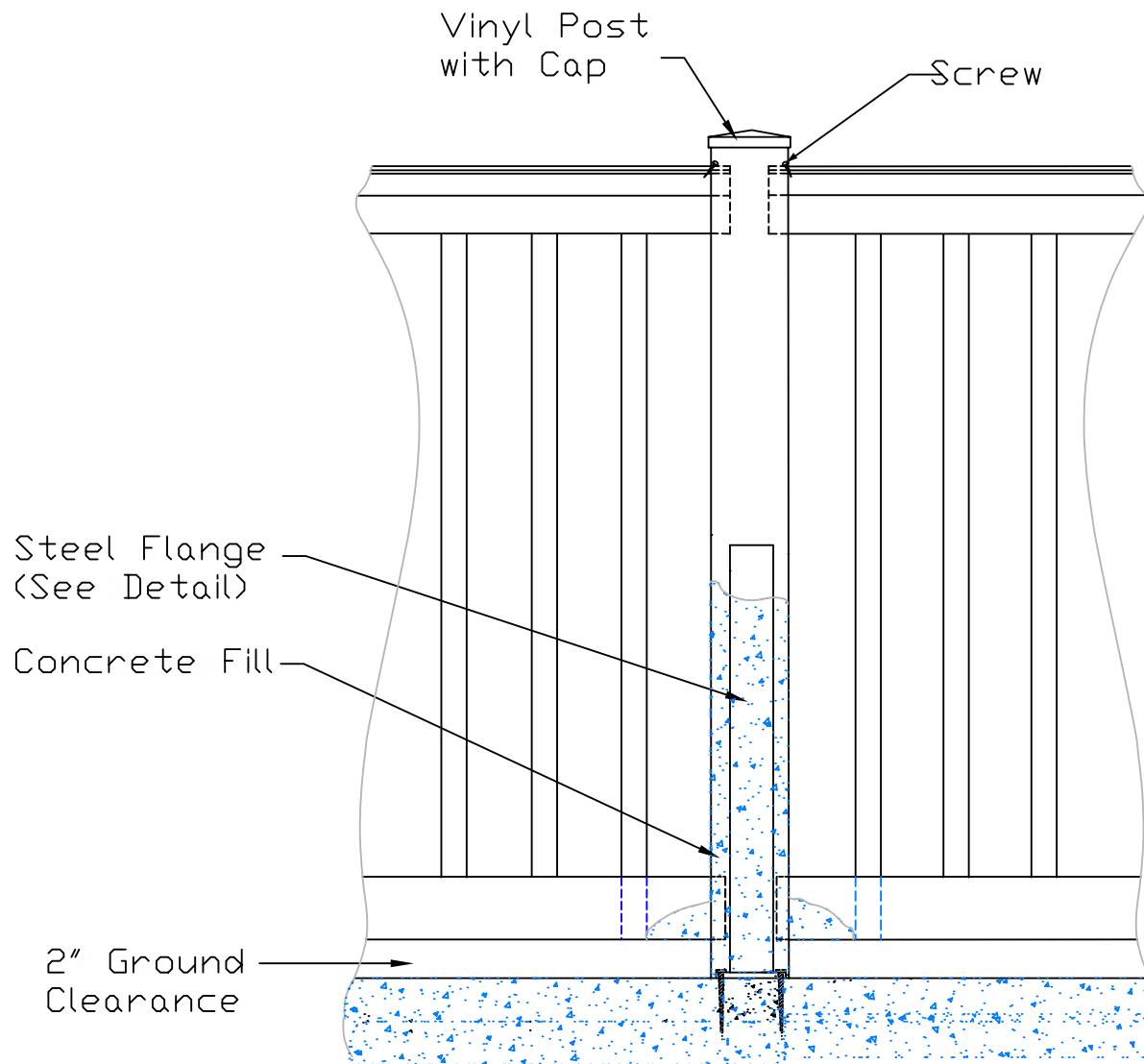
[www.Tek-Rail.com](http://www.Tek-Rail.com)



FLANGE DETAIL

<b>CENTER POST</b>		
<b>WOOD DECK APPLICATION</b>		
		Scale: NTS
<b>Tek-Rail, Inc.</b> 320 Temple Ave. Bldg. B • Newnan, GA 30263 1-800-983-5724 www.Tek-Rail.com		





**CENTER POST  
Flange on Concrete**

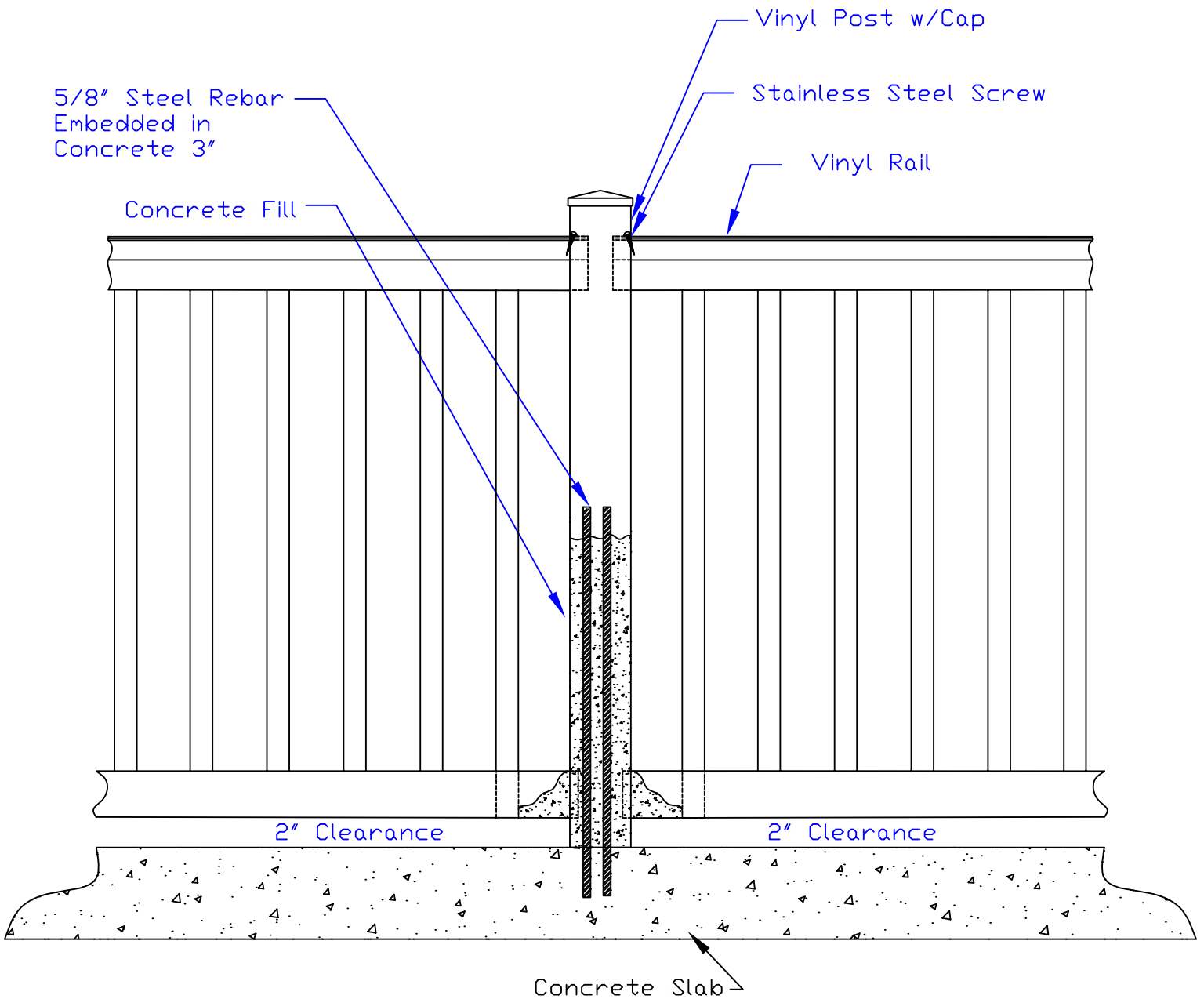
Scale: NTS

**Tek-Rail, Inc.**

320 Temple Ave. Bldg. B • Newnan, GA 30263

1-800-983-5724

www.Tek-Rail.com



## CENTER POST CONCRETE INSTALLATION

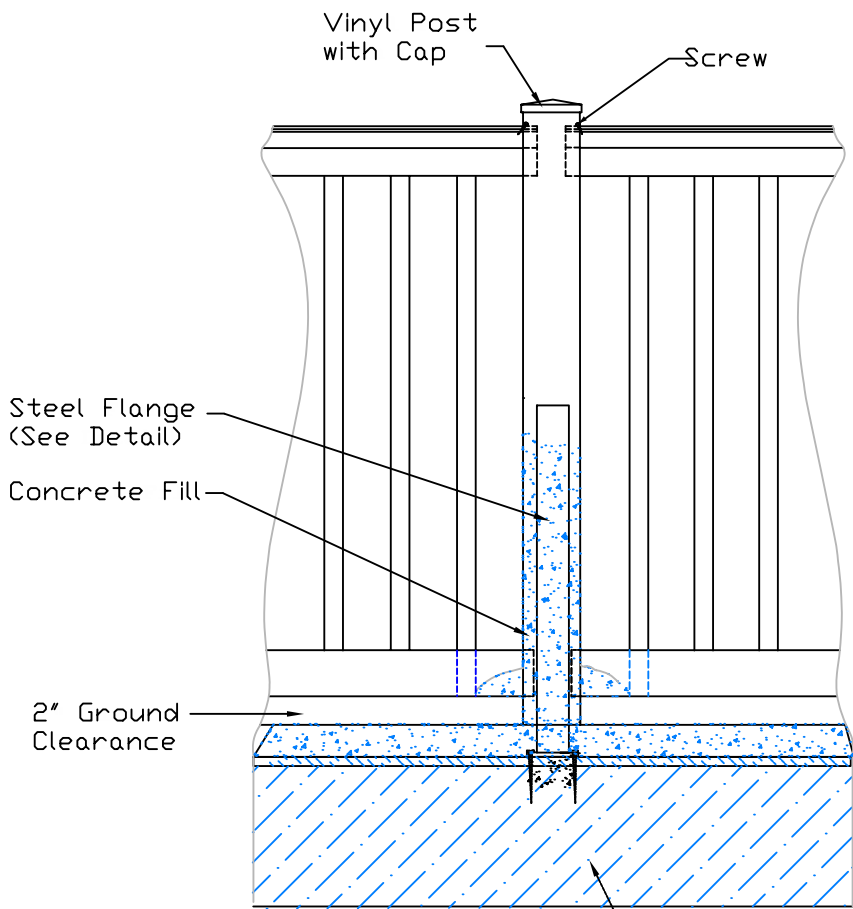
Scale: NTS

### Tek-Rail, Inc.

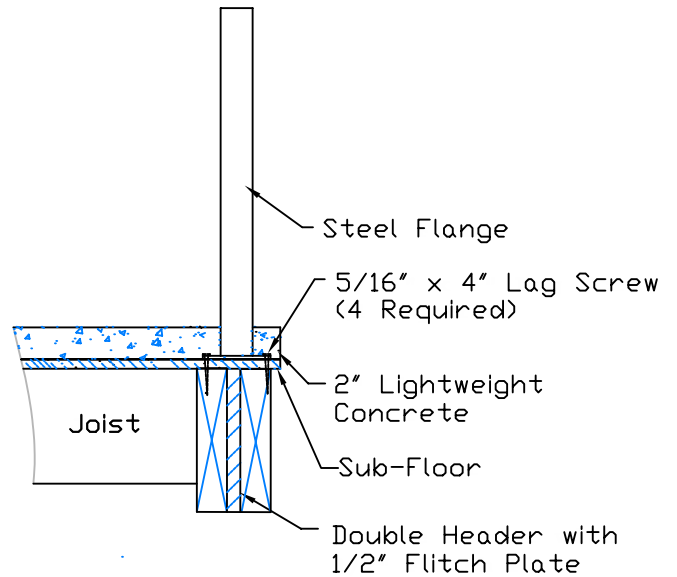
320 Temple Ave. Bldg. B • Newnan, GA 30263

1-800-983-5724

[www.Tek-Rail.com](http://www.Tek-Rail.com)



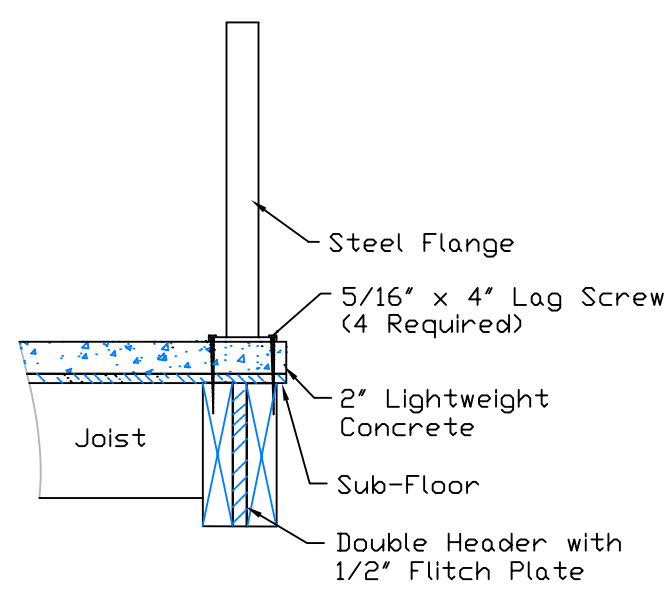
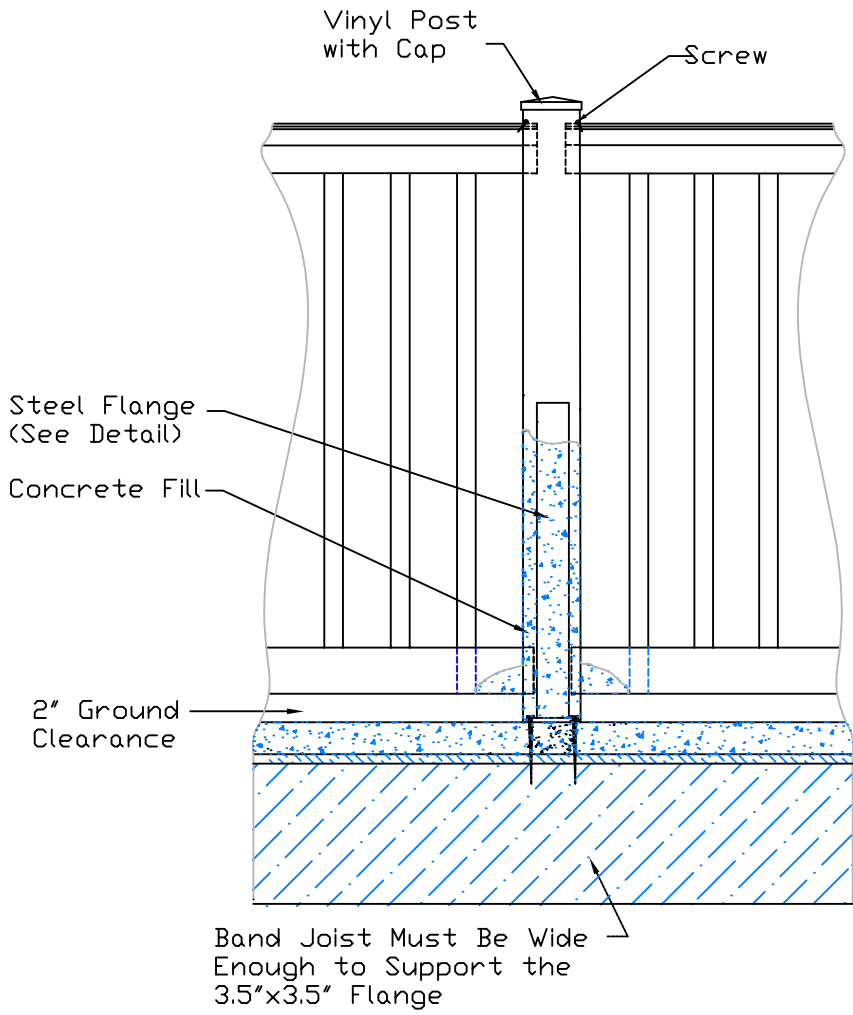
Band Joist Must Be Wide Enough to Support the 3.5"x3.5" Flange



FLANGE DETAIL

<b>CENTER POST</b>		
<b>BEFORE LIGHTWEIGHT APPLICATION</b>		
		Scale: NTS
<b>Tek-Rail, Inc.</b>		
320 Temple Ave. Bldg. B • Newnan, GA 30263		
1-800-983-5724		
www.Tek-Rail.com		





FLANGE DETAIL

<b>CENTER POST</b>	
<b>AFTER LIGHTWEIGHT APPLICATION</b>	
	Scale: NTS
<b>Tek-Rail, Inc.</b> 320 Temple Ave. Bldg. B • Newnan, GA 30263 1-800-983-5724 www.Tek-Rail.com	

