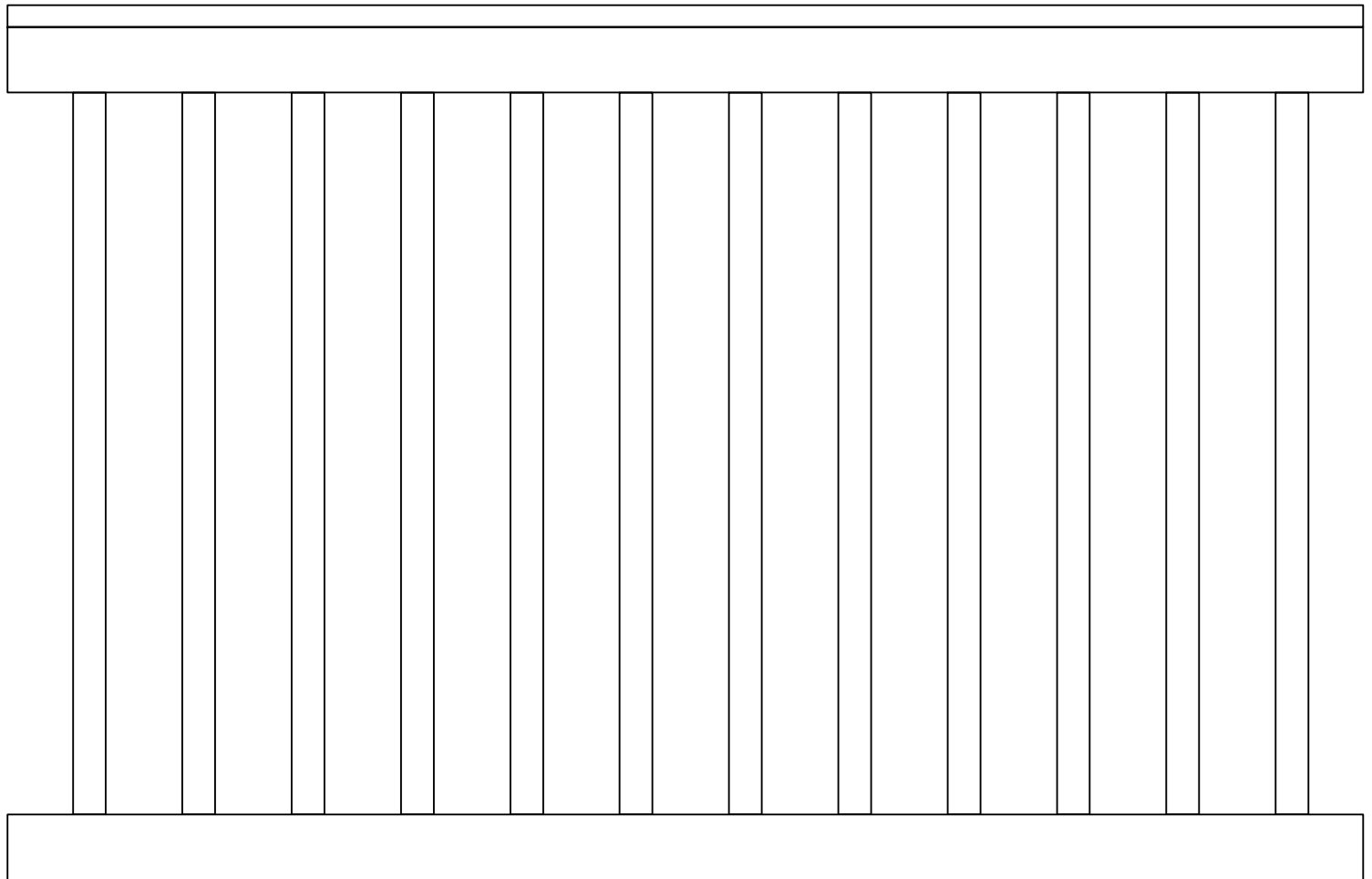
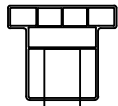
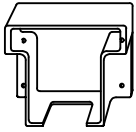
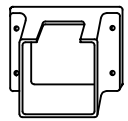


Typical Height 42'



Clearance 2"



## Style B

Scale: NTS

### Tek-Rail, Inc.

320 Temple Ave. Bldg. B • Newnan, GA 30263

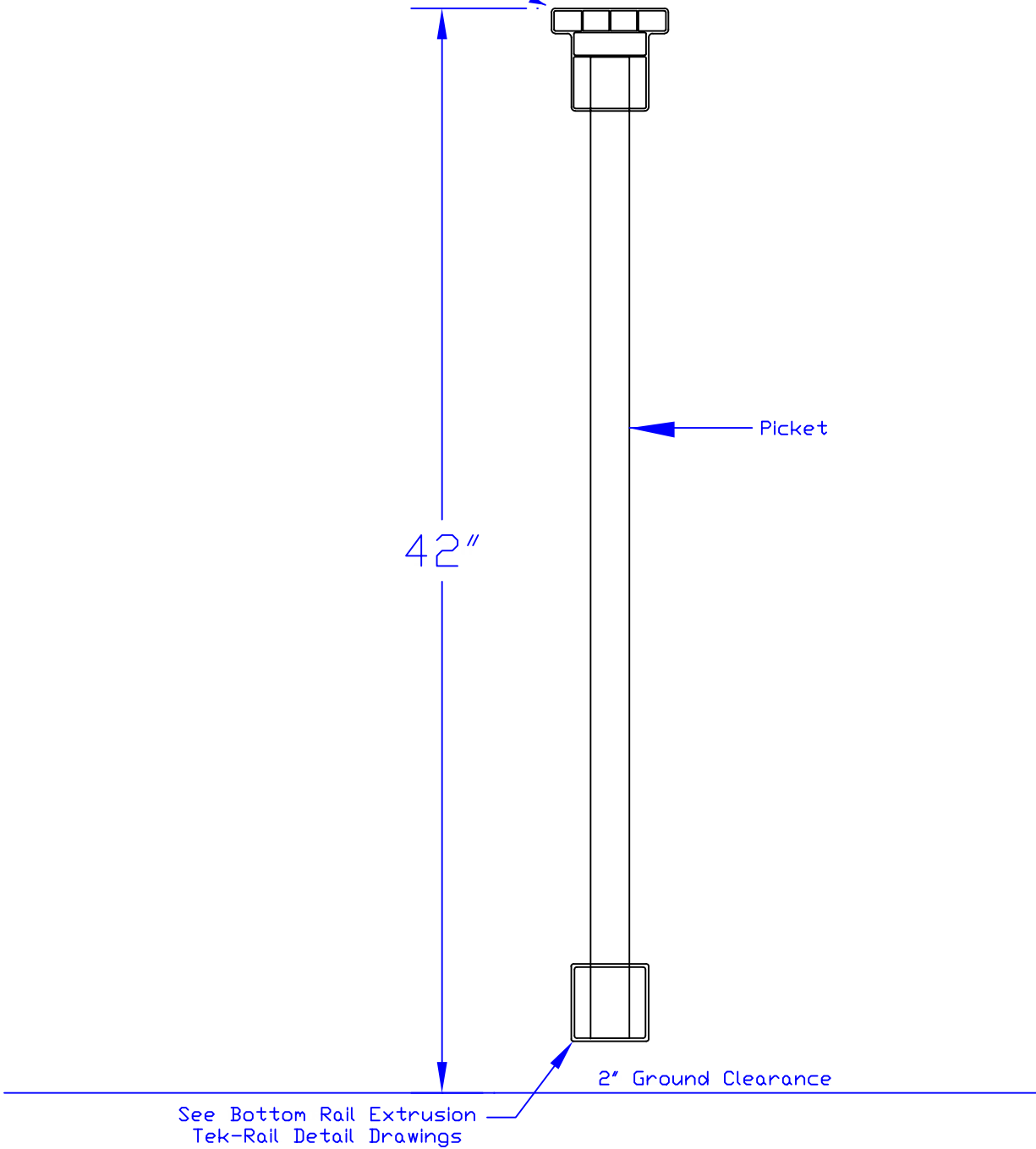
1-800-983-5724

[www.Tek-Rail.com](http://www.Tek-Rail.com)



# Style B

See Top Rail Extrusion  
Tek-Rail Detail Drawings



## CUTAWAY

### Style B

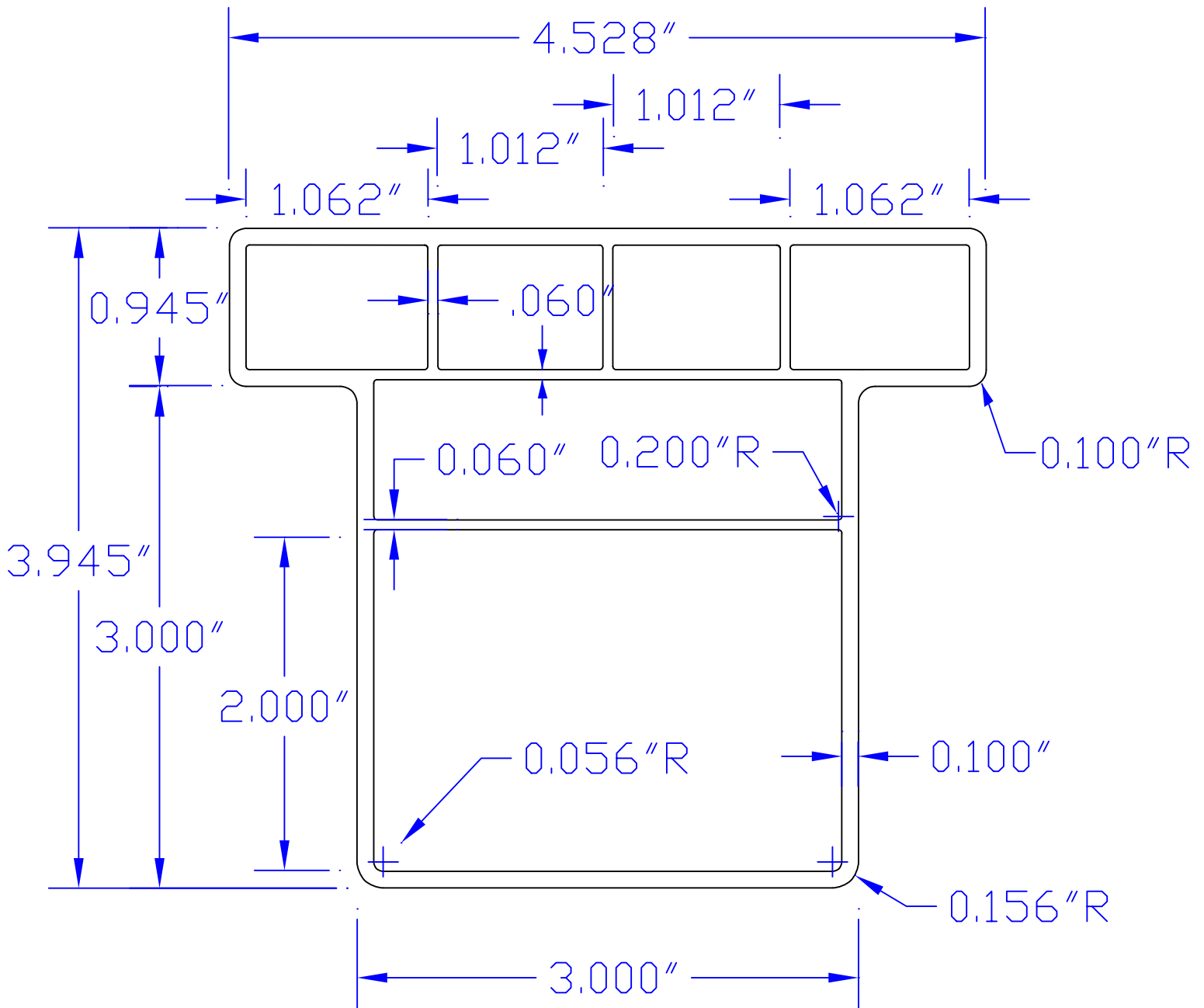
Scale: NTS

### Tek-Rail, Inc.

320 Temple Ave. Bldg. B • Newnan, GA 30263

1-800-983-5724

www.Tek-Rail.com



# RAIL EXTRUSION

## Style B Top

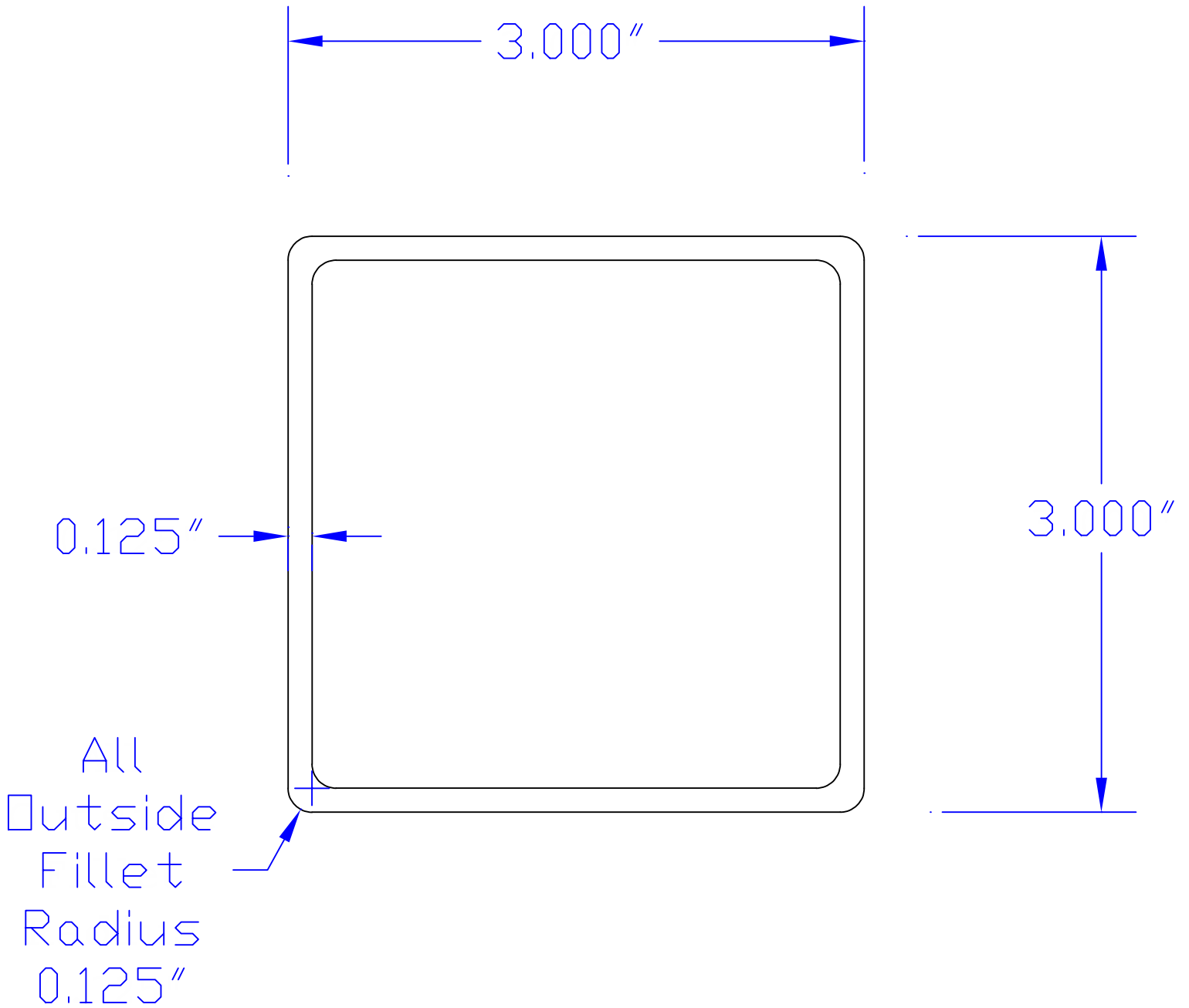
Scale: 1 = 1

### Tek-Rail, Inc.

320 Temple Ave. Bldg. B • Newnan, GA 30263

1-800-983-5724

www.Tek-Rail.com



# RAIL EXTRUSION

**Style B Bottom - Style C Top & Bottom**

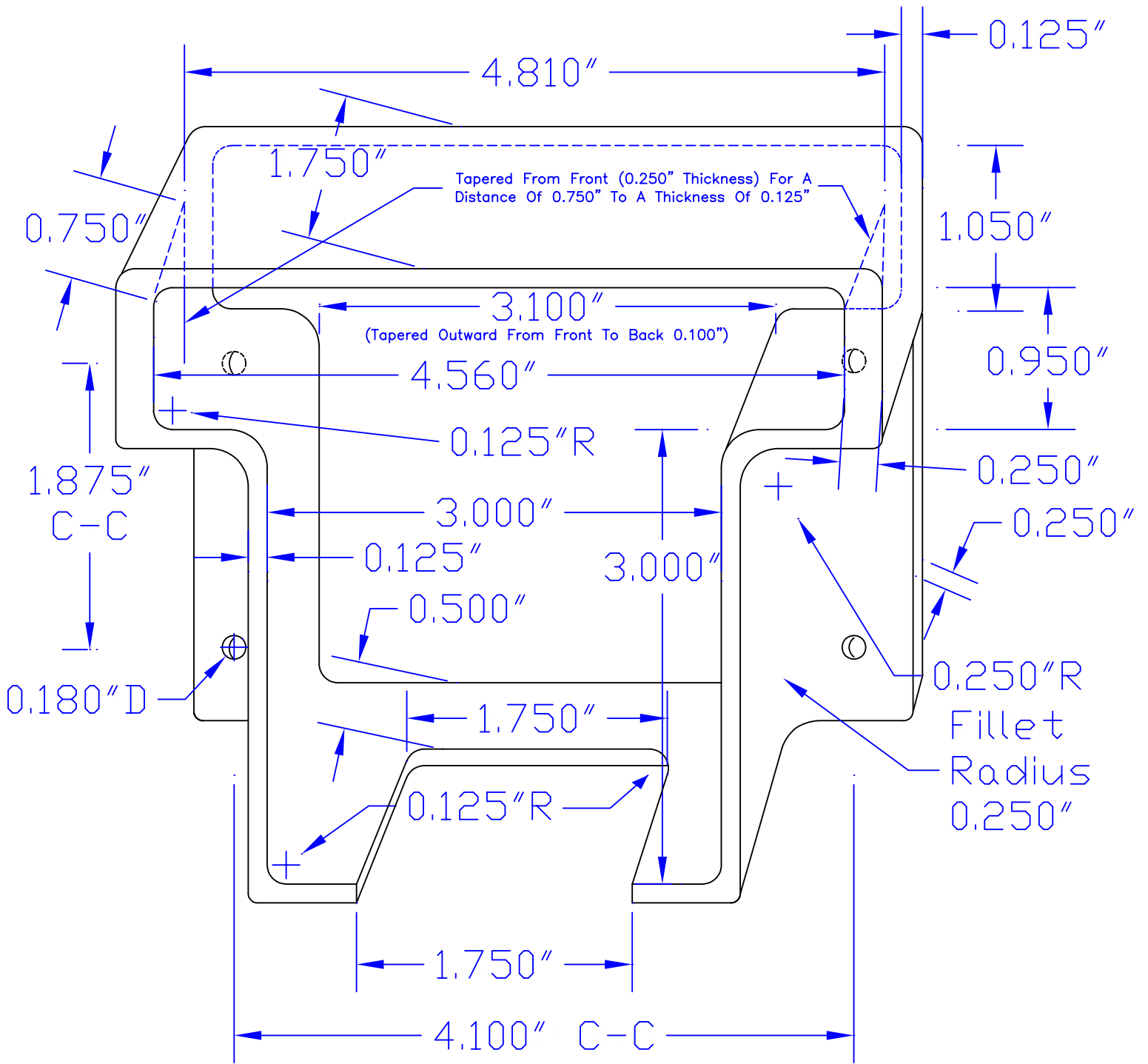
Scale: 1 = 1

**Tek-Rail, Inc.**

320 Temple Ave. Bldg. B • Newnan, GA 30263

1-800-983-5724

www.Tek-Rail.com



# BRACKET

## Style B Top

Scale: 1 = 1

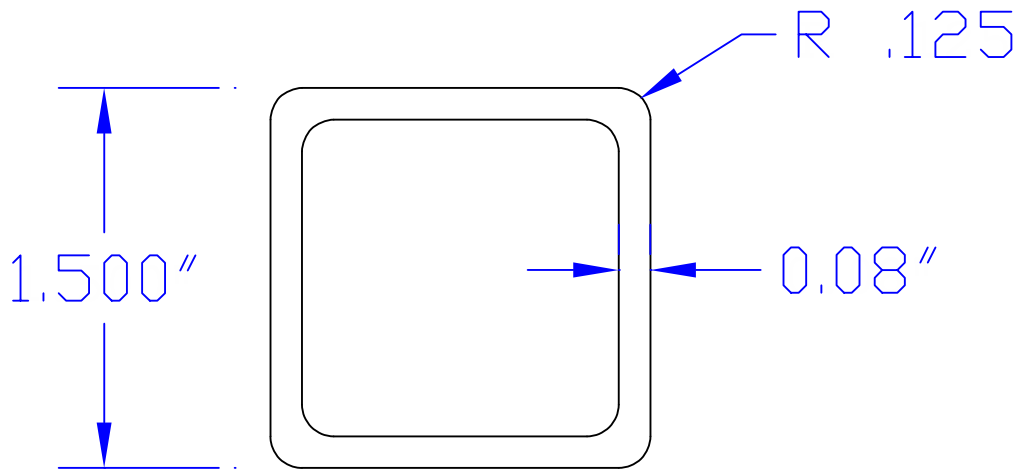
### Tek-Rail, Inc.

320 Temple Ave. Bldg. B • Newnan, GA 30263

1-800-983-5724

www.Tek-Rail.com





Styles B, C, R, S

# PICKET

## Extrusion - Cross-Section - All Styles

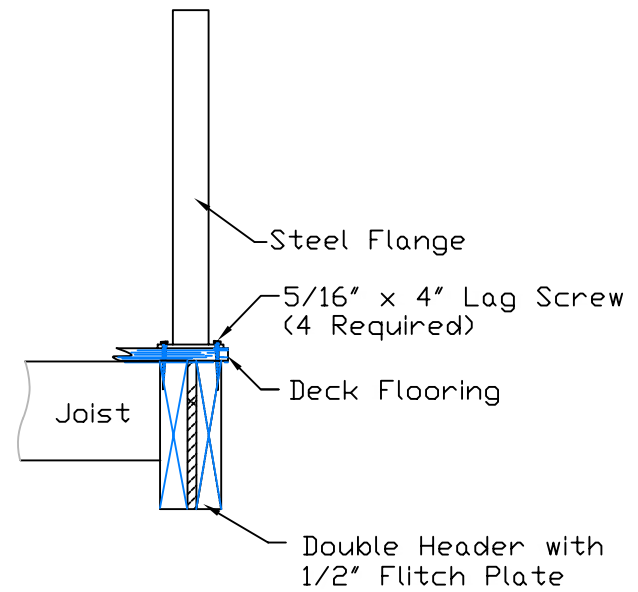
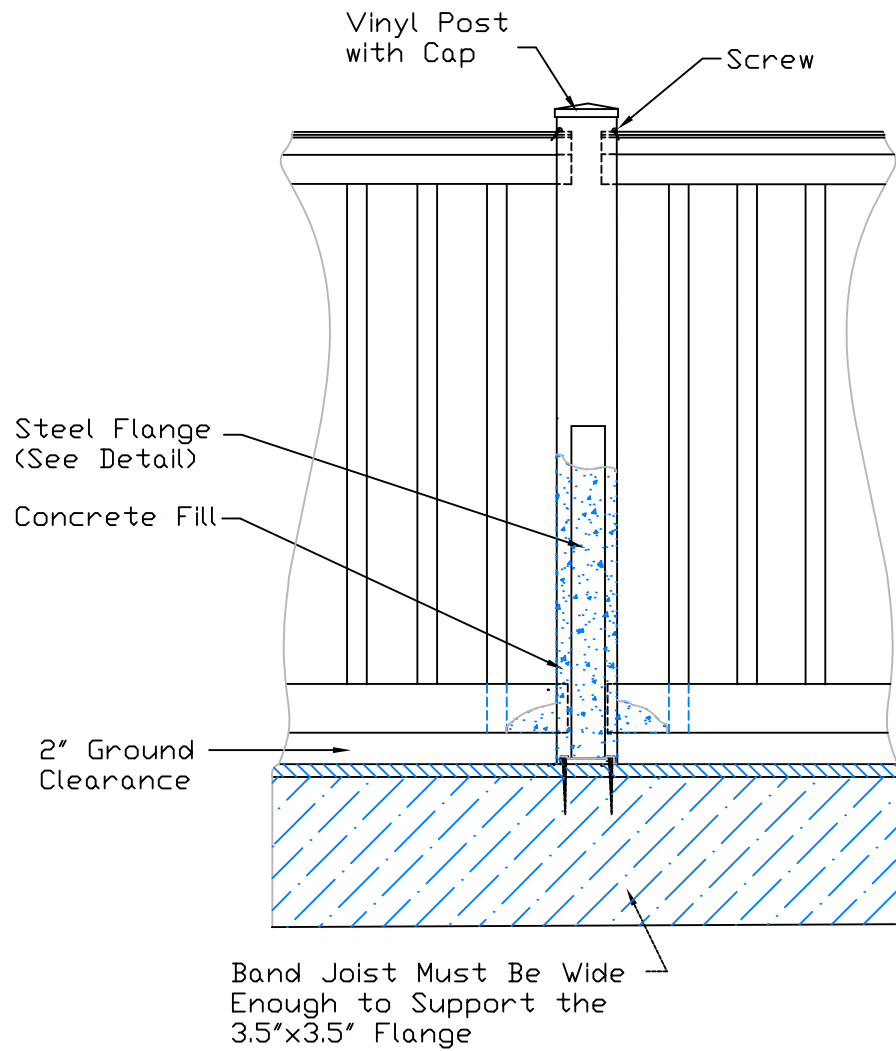
Scale: 1 = 1

### Tek-Rail, Inc.

320 Temple Ave. Bldg. B • Newnan, GA 30263

1-800-983-5724

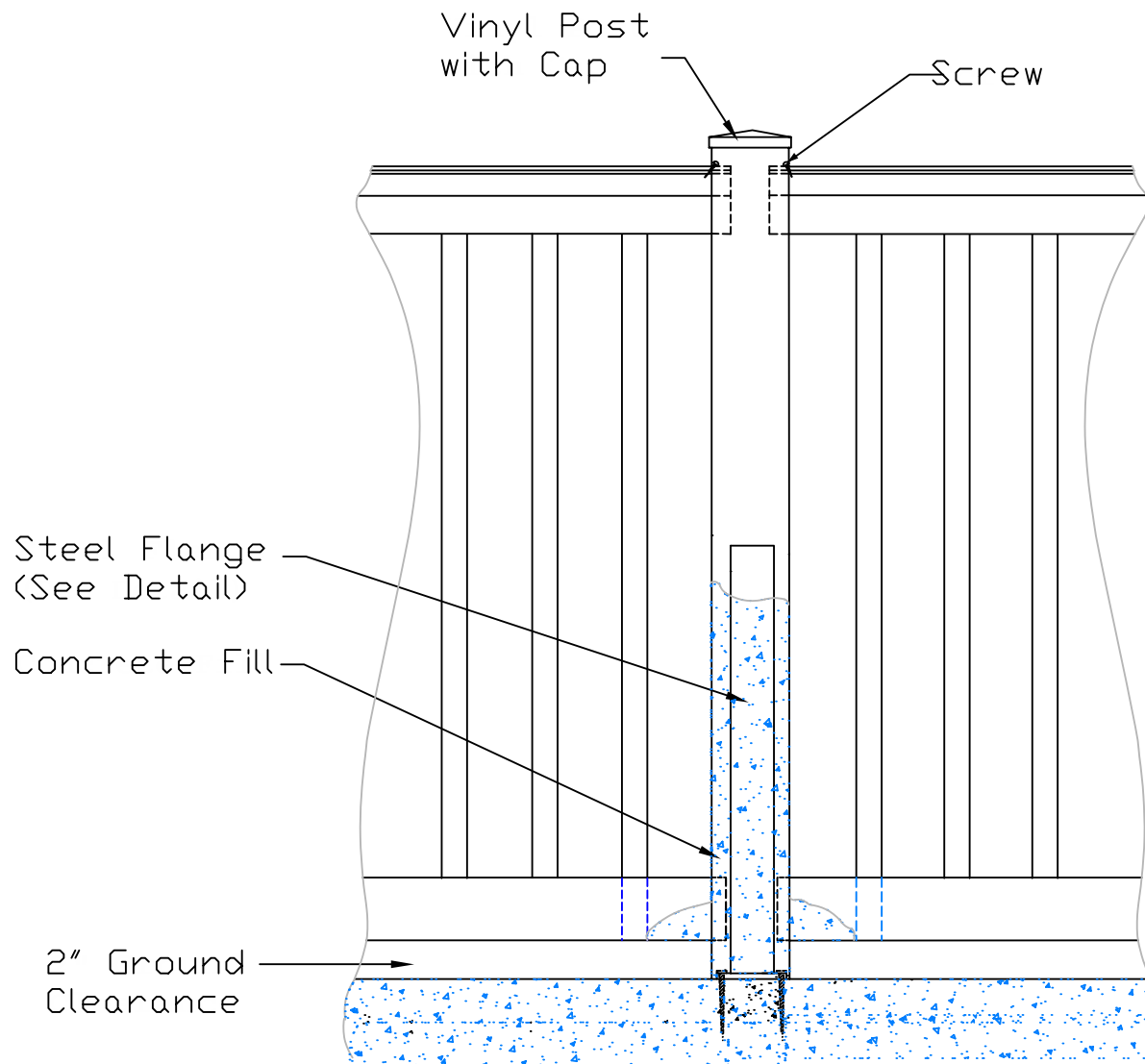
[www.Tek-Rail.com](http://www.Tek-Rail.com)



FLANGE DETAIL

<b>CENTER POST</b>		
<b>WOOD DECK APPLICATION</b>		
		Scale: NTS
<b>Tek-Rail, Inc.</b> 320 Temple Ave. Bldg. B • Newnan, GA 30263 1-800-983-5724 www.Tek-Rail.com		





**CENTER POST  
Flange on Concrete**

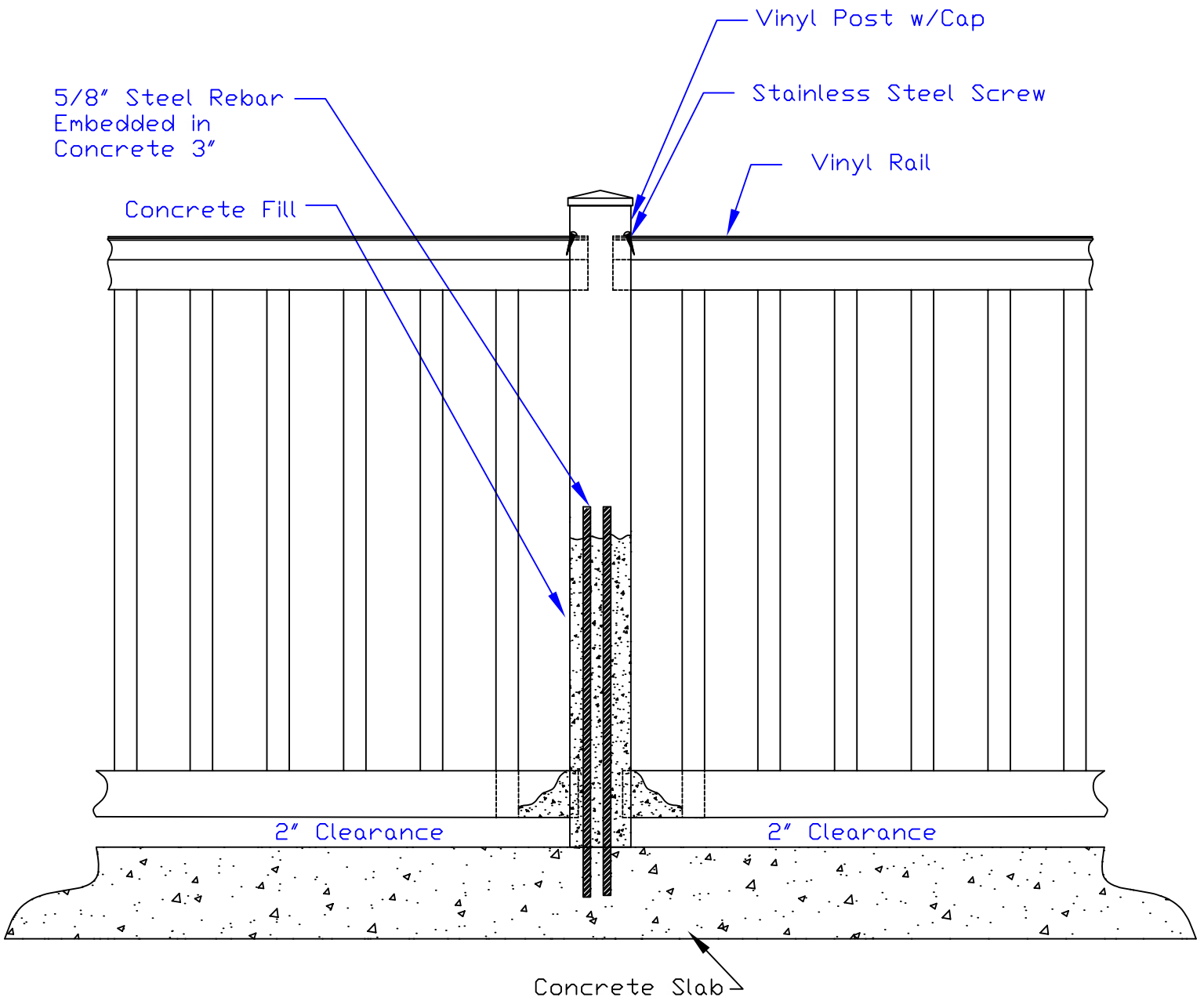
Scale: NTS

**Tek-Rail, Inc.**

320 Temple Ave. Bldg. B • Newnan, GA 30263

1-800-983-5724

www.Tek-Rail.com



## CENTER POST CONCRETE INSTALLATION

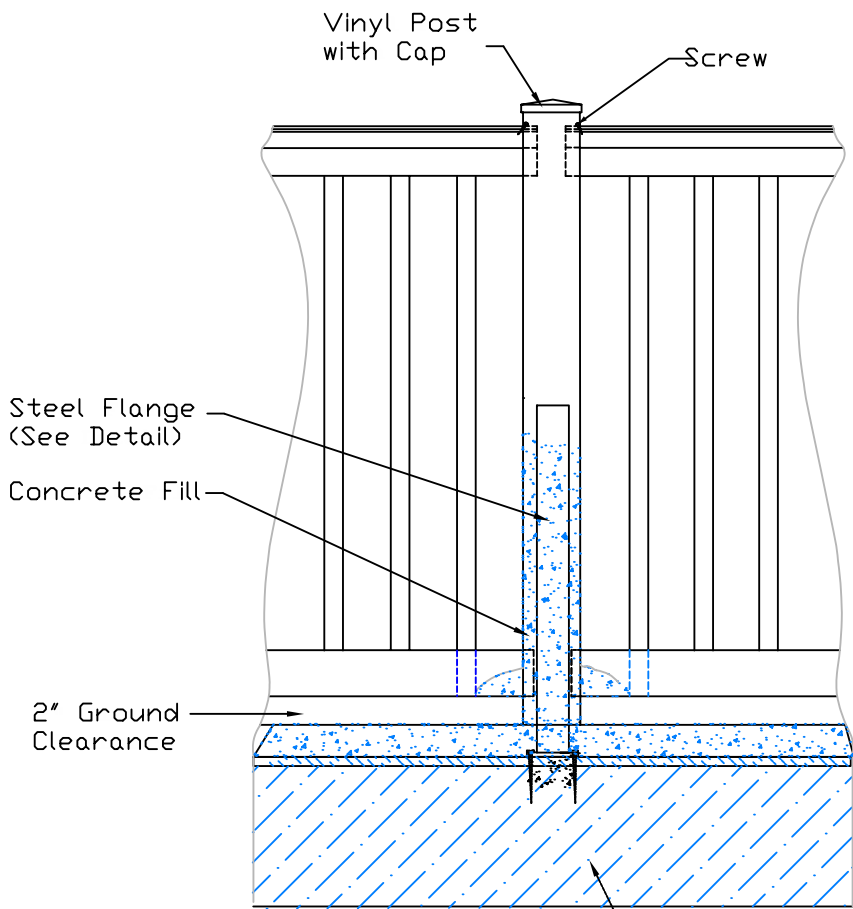
Scale: NTS

### Tek-Rail, Inc.

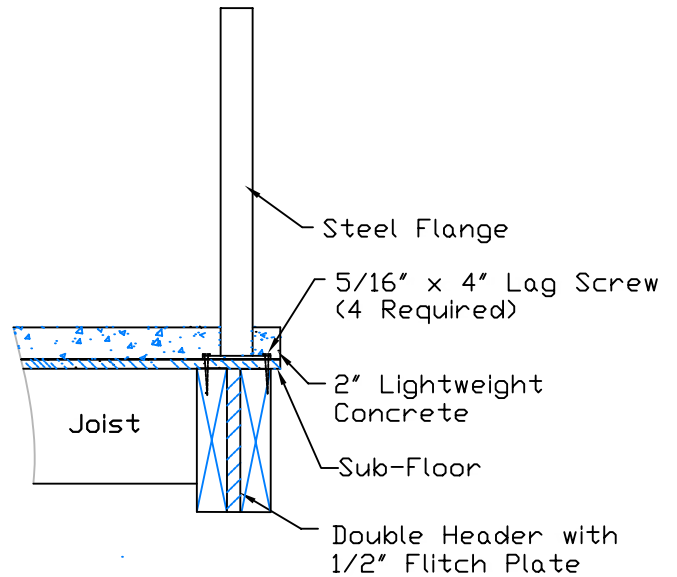
320 Temple Ave. Bldg. B • Newnan, GA 30263

1-800-983-5724

www.Tek-Rail.com



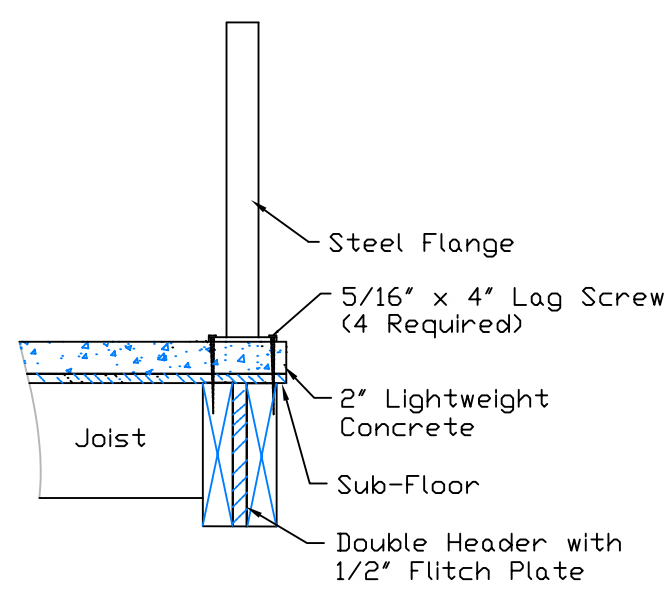
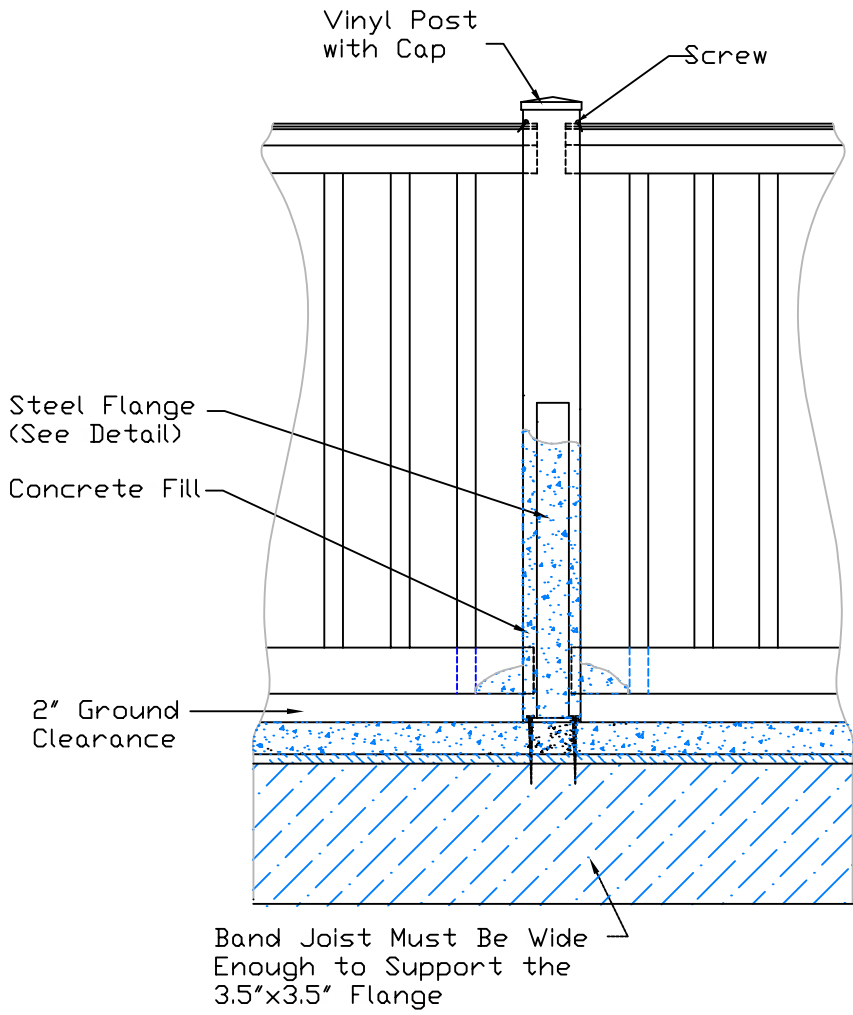
Band Joist Must Be Wide Enough to Support the 3.5"x3.5" Flange



FLANGE DETAIL

<b>CENTER POST</b>		
<b>BEFORE LIGHTWEIGHT APPLICATION</b>		
		Scale: NTS
<b>Tek-Rail, Inc.</b> 320 Temple Ave. Bldg. B • Newnan, GA 30263 1-800-983-5724 www.Tek-Rail.com		





FLANGE DETAIL

<b>CENTER POST</b>	
<b>AFTER LIGHTWEIGHT APPLICATION</b>	
Scale: NTS	
<b>Tek-Rail, Inc.</b>	
320 Temple Ave. Bldg. B • Newnan, GA 30263	
1-800-983-5724	
www.Tek-Rail.com	

