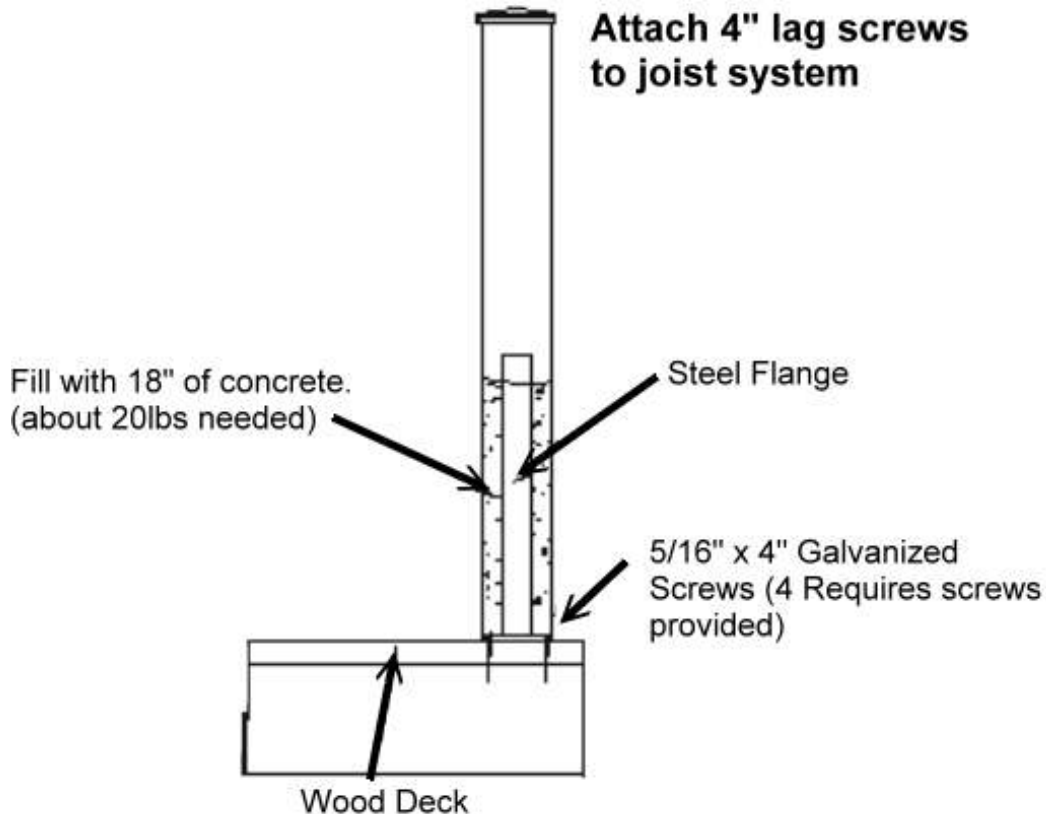




CALL US NOW AT 1-800-983-5724

FLANGE MOUNT INSTALLATION INSTRUCTIONS



- 1.) Find center between attachment points and mark.
- 2.) Pre-drill with a 1/4" drill bit for four 5/16 x 4" lag bolts. ****NOTE:** Screws must go into 4" of solid wood.
- 3.) Set flange and secure with lag bolts.
- 4.) Finish lag bolts with a ratchet.
- 5.) Slide Post Sleeve over flange.
- 6.) Attach Vinyl Railing according to kit installation instructions.
- 7.) Level Rail and Post and cover flange with *Quickrete.

8.) Tap post with a rubber mallet to settle the concrete and remove air bubbles.

9.) Glue on Post Cap and make sure post is level.

20 lbs. of concrete for a 4" Post Sleeve and 30 lbs. for a 5" Post Sleeve.

*Quickrete must be an oatmeal consistency.

****NOTE:** In some cases, you may not have 4" of solid wood underneath deck to drill into. In this situation, screw a 2" extension underneath deck and secure with four 5/16 x 4" lag bolts